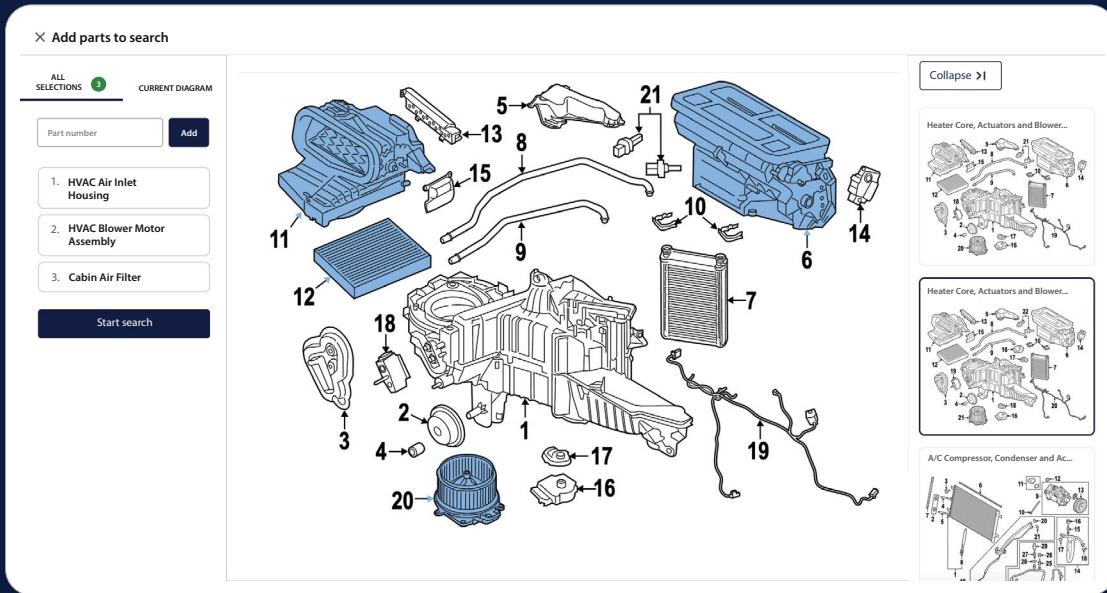


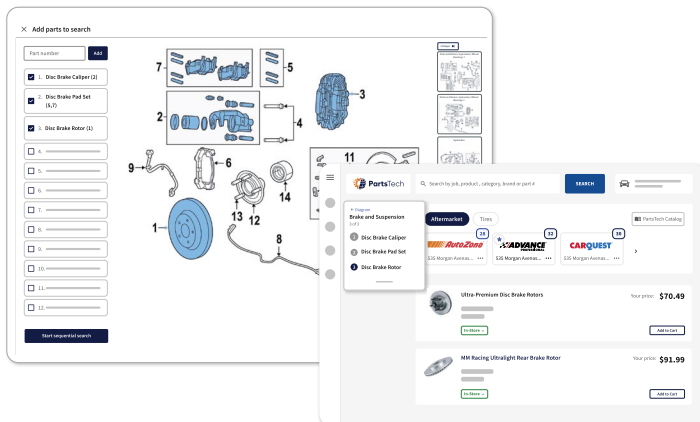
# Harness the power of visuals — save time with **PartsTech diagrams**

Don't always know the exact part number or part name when you're trying to order parts? No problem. Use full vehicle diagrams to quickly search for parts and get visual confirmation that you've selected the right part.



## Get the job done with an automated search

Once you have added parts to your search list using the diagrams, a single click starts an automated search for each part across all your suppliers.



## Increase your part search accuracy



PartsTech Diagrams enable you to interact with illustrated diagrams to match a part that's in your hand (or still in the vehicle) with the right part name and number.

## Find a part using multiple diagrams

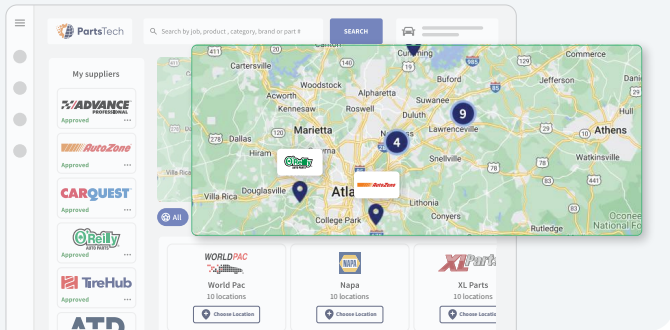


For added confidence, swap between related diagrams within the same category to ensure you have all the necessary parts for the job.

1

## Connect to your parts suppliers

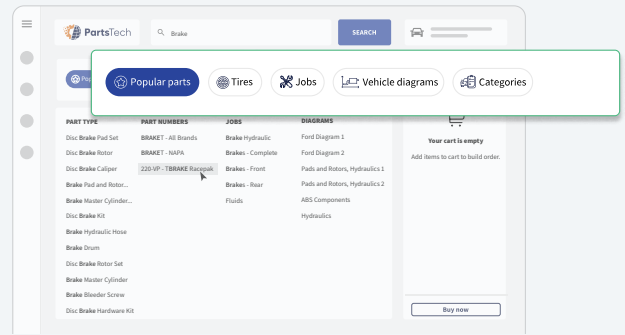
with a few clicks



2

## Quickly search for parts and tires

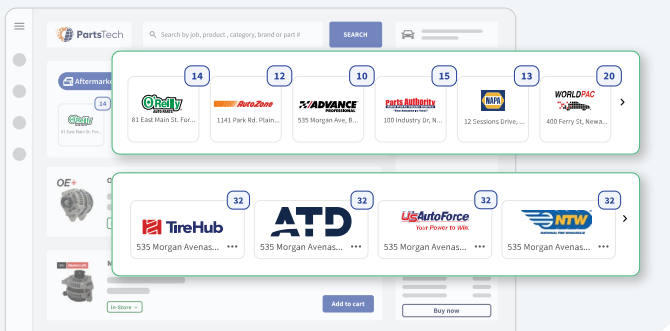
by part name, keyword, job or with our interactive diagrams



3

## Add parts and tires

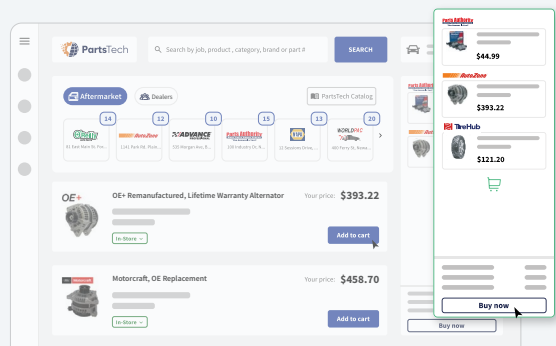
from multiple suppliers to a single cart



4

## Place the order

to multiple suppliers with one click



## Connect to unlimited suppliers

With more than 225 parts and tire suppliers across 30,000+ supplier locations, you will always find the parts and tires you need.



## Integrates with 35+ management systems

