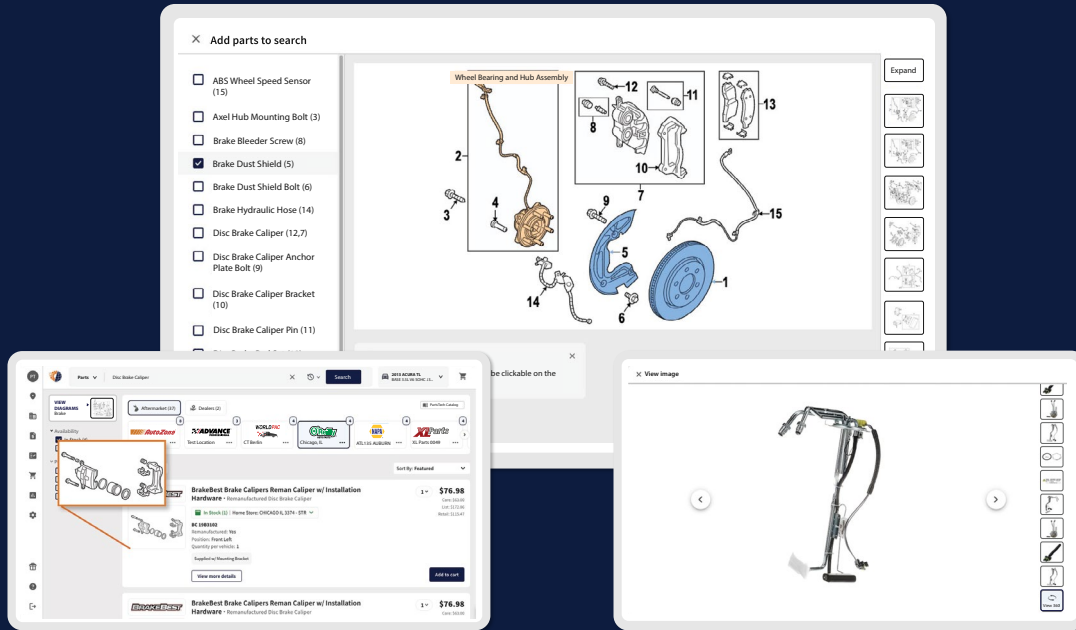


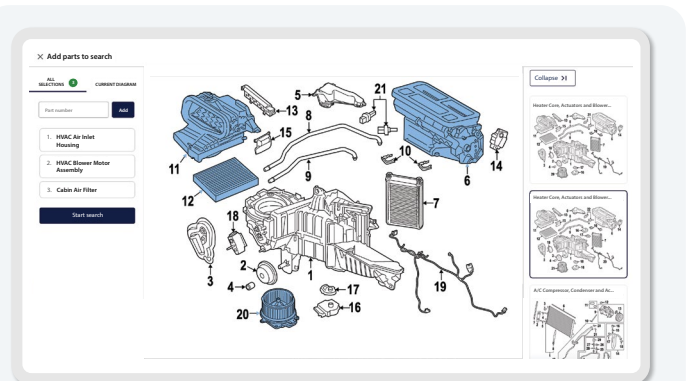
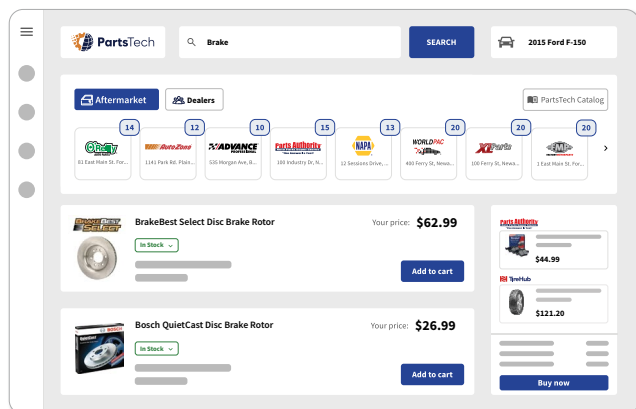
PartsTech Visual Search Suite

Enhancing parts identification accuracy through interactive visual tools



What is PartsTech?

It is a free total parts procurement platform for automotive repair shops that enables you to find the right aftermarket parts and tires - fast. With PartsTech, one search shows live inventory and wholesale pricing from all your suppliers in one lookup. Easily add the parts and tires you need from multiple suppliers to a single cart to order them all.



The PartsTech Visual Search Suite

A comprehensive visual search solution designed to simplify aftermarket parts identification and ordering for auto repair professionals. This suite combines interactive, full-vehicle diagrams, 360-degree views of parts, and intelligent image replacement to enhance accuracy and efficiency in the parts selection process.

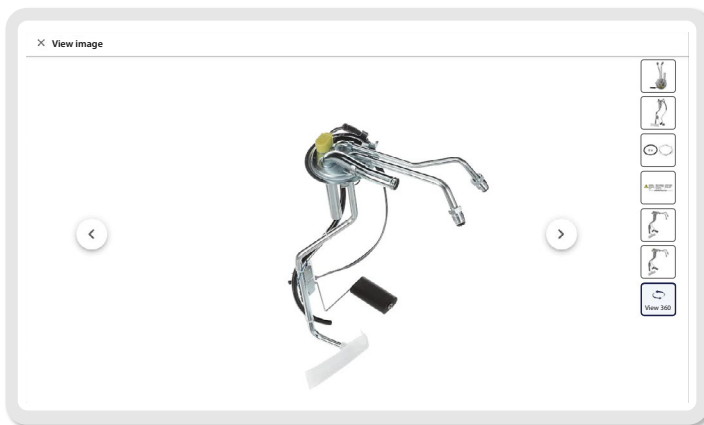
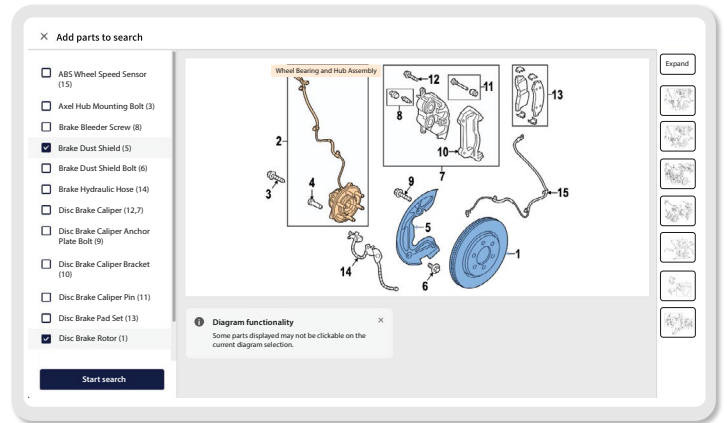
PartsTech Diagrams

Key Features

Major Makes & Models: Access diagrams for all major makes/models, spanning 30 years

Interactive Feedback: Click to select multiple parts from one or more diagrams to add them to a search list

Automated Sequential Search: Automatically search for each part across multiple suppliers at once for maximum efficiency



360-Degree Product Views

Key Features

360° Views: Get a complete, all-around view of each part from every angle for 50,000 products

Click & drag: View different angles of a part right from your desktop or mobile device

Fit Accuracy: Designed to improve part fit accuracy and reduce returns

Intelligent Image Replacement

Key Features

Missing Image Replacement: Substitutes missing manufacturer images and displays the corresponding diagram slice for better context

Enhanced Visual References: Improves visual references for about 80% of the 15M+ parts in the catalog

Improved Search: Maintains a consistent search experience for most components

